



Technical bulletin 2009-06-10 – Poseidon Diving Systems AB

To whom it may concern.

Product: Poseidon MkVI Discovery Rebreather breathing loop hoses

Manufacturer: Poseidon Diving Systems AB

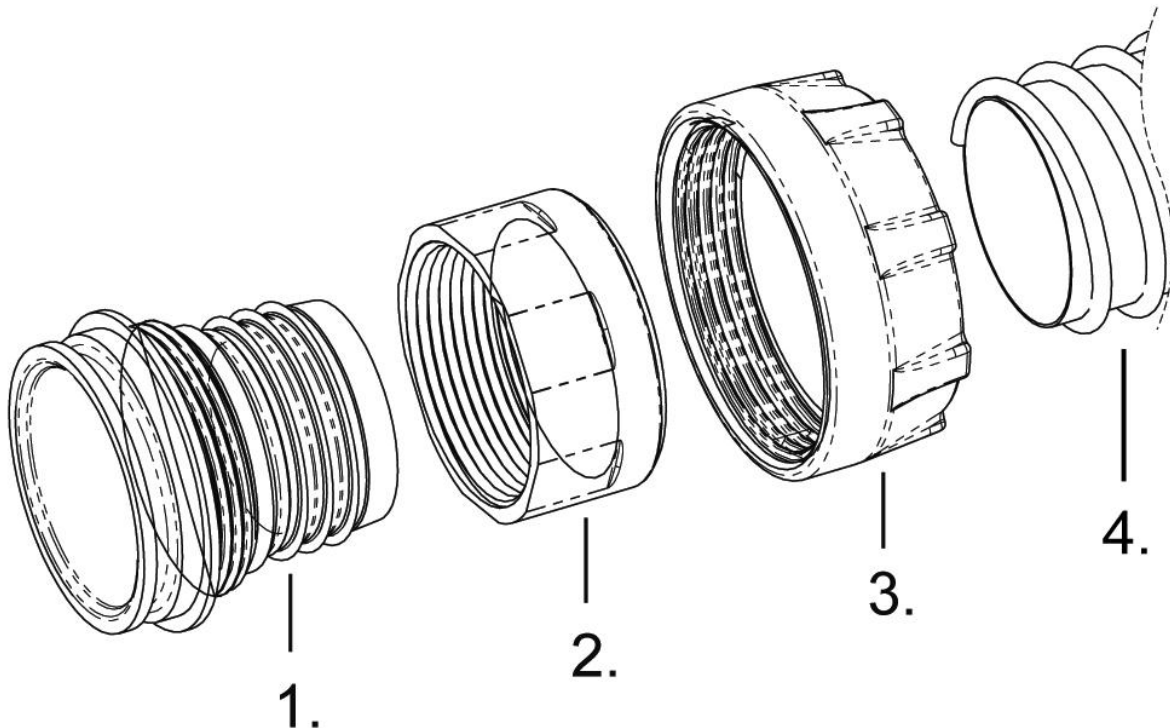
Manufactured between: 2009-01-01 – 2009-06-10

Number of incidents reported: 2

Number of reported injuries: 0

Poseidon Diving Systems AB has received two reports of Incidents where a breathing loop hose hasn't been properly attached to the hose coupling during a dive. This may result in the breathing loop hose getting disconnected from the hose coupling and that can cause a critical and life threatening failure of the rebreather.

To avoid this from happening, all breathing loop connections must be inspected and checked to make sure they are properly tightened, prior to each dive.



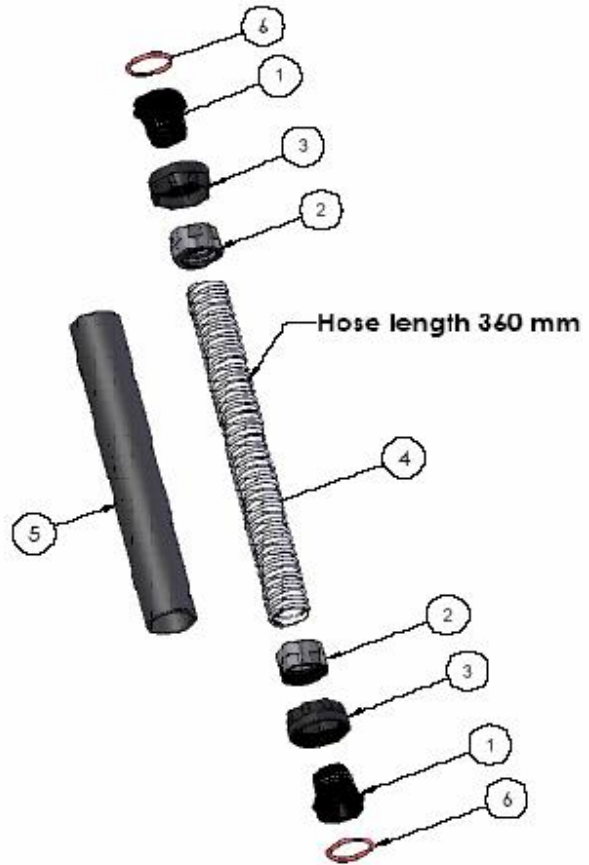
Make sure that:

- A. The **breathing loop hose (4.)** is firmly screwed on to the **Hose coupling (1.)**
- B. The **Coupling nut (2.)** is firmly screwed on to the **Hose coupling (1.)**
- C. The **breathing loop hose (4.)** doesn't come loose if you hold the **breathing loop connection (1 + 2)** in your hand and turn on the **breathing loop hose (4.)** counter clock wise at the same time.

Breathing loop hose assembly instructions

#	Description
1.	Hose coupling o.mold
2.	Coupling nut
3.	Lock nut
4.	CC Hose
5.	CC Hose Cover
6.	O-ring

- Apply lubricant on the **Coupling nut** (1) where the hose is placed
- Screw the **CC hose** (4) on to the **coupling nut** (1) as far as possible.
- Tighten the **Lock nut** (1) firmly using hand force.
- Apply lubricant to the **O-ring** (6) and mount them on the **Coupling nut** (1)
- Thread the **Hose couplings** (3) on to the CC hose, make sure they point in different directions.
- Repeat the four first step on the other side of the **CC hose** (4)



If you require additional assistance or have questions about this technical bulletin, please feel free to contact our support department at support@poseidon.com

Ronny Larsson
 CEO

Poseidon Diving Systems AB
 P.O Box 8050
 421 08 Västra Frölunda
 Sweden

Phone: +46 (0)31 734 2900
 Fax: +46 (0)31 734 2901
 E-mail: info@poseidon.com
 Web : www.poseidon.com